



Adam Millray

Sergeant in the British Army corps of Royal Electrical and Mechanical Engineers (REME) and HND Mechanical engineering student.

On Her Majesty's Service

Industry:

Social Science Researches, Politics

Location:

Pakistan, Islamabad/Japan, Tokyo

Challenge:

Maintain, repair and manufacture equipment to keep battle winning aircraft, tanks and weapons in good working order.

Toolkit:



ConceptDraw **MINDMAP 8**

Solution:

Use ConceptDraw MINDMAP to map ideas regarding sustainable human development.

Benefits:

I am able to save my time, can work faster and in a better way. More importantly, my audience now understands the concepts better in workshops and I find them more engaged during training sessions.

Soldiers and officers employed within the Royal Electrical and Mechanical Engineers (REME) are the technicians, mechanics and fabricators that consistently inspect, repair, modify and maintain the large array of equipment that the British Army has to offer.

As technologies advance and equipment becomes more complex, men and women of REME have to be up to the challenges of training and keeping up to date with modern engineering.

Adam Millray has 13 years of experience in the British Army. His responsibilities include management of a fleet of vehicles and manage young soldiers' careers and development throughout.

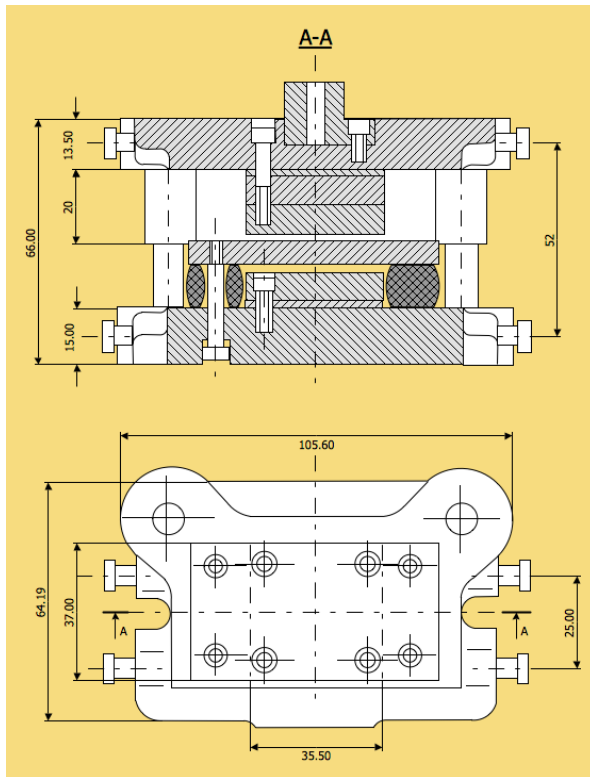
"I'm generating a project which people will surely want to follow in the future and use your powerful program. ConceptDraw Office is the most powerful project software around which makes working fun!"

Now Adam Millray is a training student of the Defence School of Electronic and Mechanical Engineering (DSEME), that is responsible for delivering technical training to soldiers, airmen and officers in the British Army.

A modern high tech Army needs highly-trained staff to keep equipment working. Adam Millray has had 13 years of experience in the British Army His role in the REME is to manage the fleet of vehicles and to conduct the team of young soldiers' by managing their careers and development throughout.

Adam Millray discovered that ConceptDraw tools were rather useful for him “within [his] current assignment [he] uses ConceptDraw tools to produce modifications for the current vehicles in army use, to improve their reliability and safety.”

“The ConceptDraw Office suite is a particularly useful tool for integrated use.” He uses it to “manage ongoing projects, developing and producing from mind map to Gantt charts to project presentations for the Army Development project team.”



Adam does not have much experience in the use of business software packages. It is recognized that he mostly used handwritten entries “Hand written (dark ages)” .

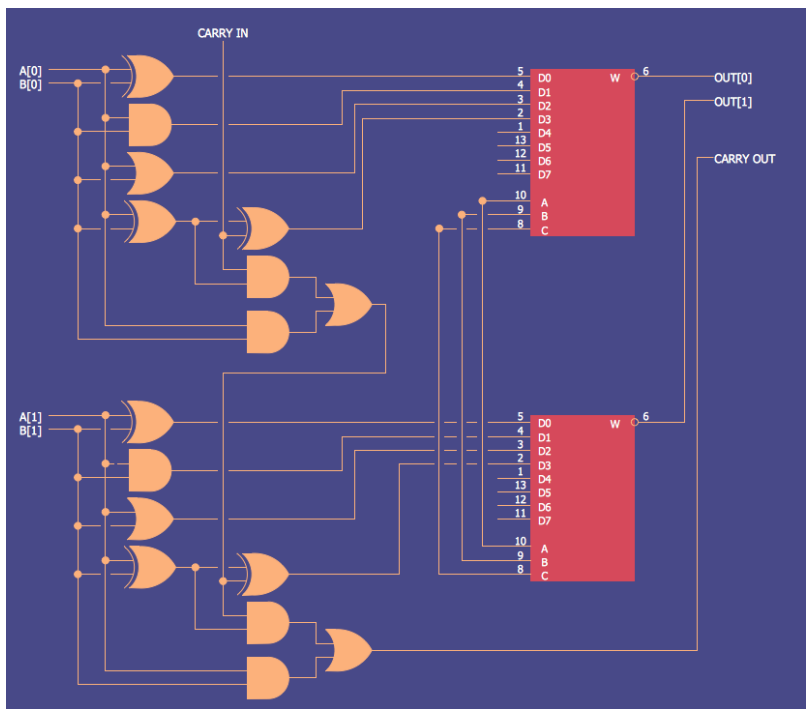
As a beginner, Adam especially appreciates the sheer volume of learning materials supplied with ConceptDraw products: *“Your program has made education fun...I have found your short video clips very helpful as guides.”*

“Your program has made education fun...I have found your short video clips very helpful as guides.” Adam considers that his project hardly could be developed and successfully presented without ConceptDraw Office being used: “ConceptDraw made it easy and understandable... it made my assignment enjoyable.”

Sample of a Technical Drawing created using ConceptDraw PRO enhanced with Mechanical Engineering solution from Solution Park

He asserts that many of his colleagues appreciate the benefits of ConceptDraw. "The ease and speed of [ConceptDraw] has enhanced my project 10 fold above every other project I've produced."

"I'm generating a project which people will surely want to follow in the future and use your powerful program. ConceptDraw Office is the most powerful project software around which makes working fun!" Maintaining and repairing the British Army's equipment has always played an important part in ensuring the fighting efficiency of the Service.



"The ease and speed of [ConceptDraw] has enhanced my project 10 fold above every other project I've produced."

Sample of an Electrical Drawing created using ConceptDraw PRO enhanced with Electrical Engineering solution from Solution Park

Adam Millray and his team looked forward to the successful implementation of the project that can help to deliver flexible, affordable, modern and effective technical training in order to support equipment capability that meets the requirements of the British Armed Forces.



CS Odessa

Corporate Headquarters
CS Odessa, Ltd.
29 Frantsuzskiy Blvd.
Odessa, 65044, Ukraine
Fax: +38 (048) 728-7013

Americas
CS Odessa LLC
1798 Technology Dr Ste 244
San Jose, CA 95110-1399, USA

Toll free (US/Canada): +1 (877) 441-1150
Main Phone: +1 (408) 441-1150
Fax: +1 (408) 441-1138
Customer Support: +1 (877) 441-1150
+1 (408) 694-3213



ARMY

More information about DSEME:

http://www.army.mod.uk/training_education/24480.aspx